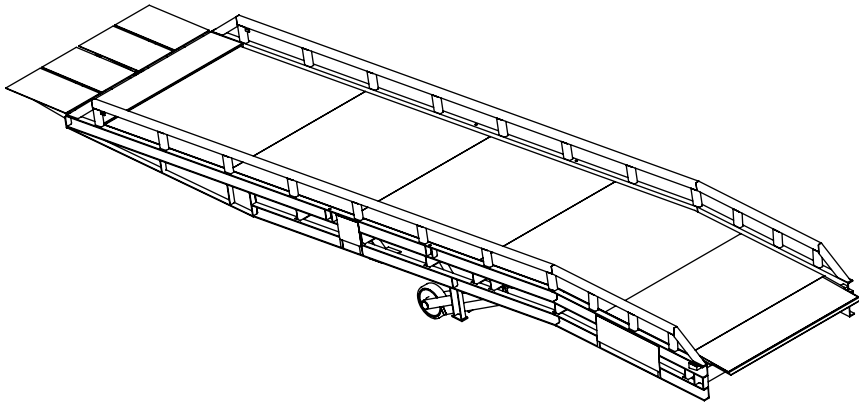
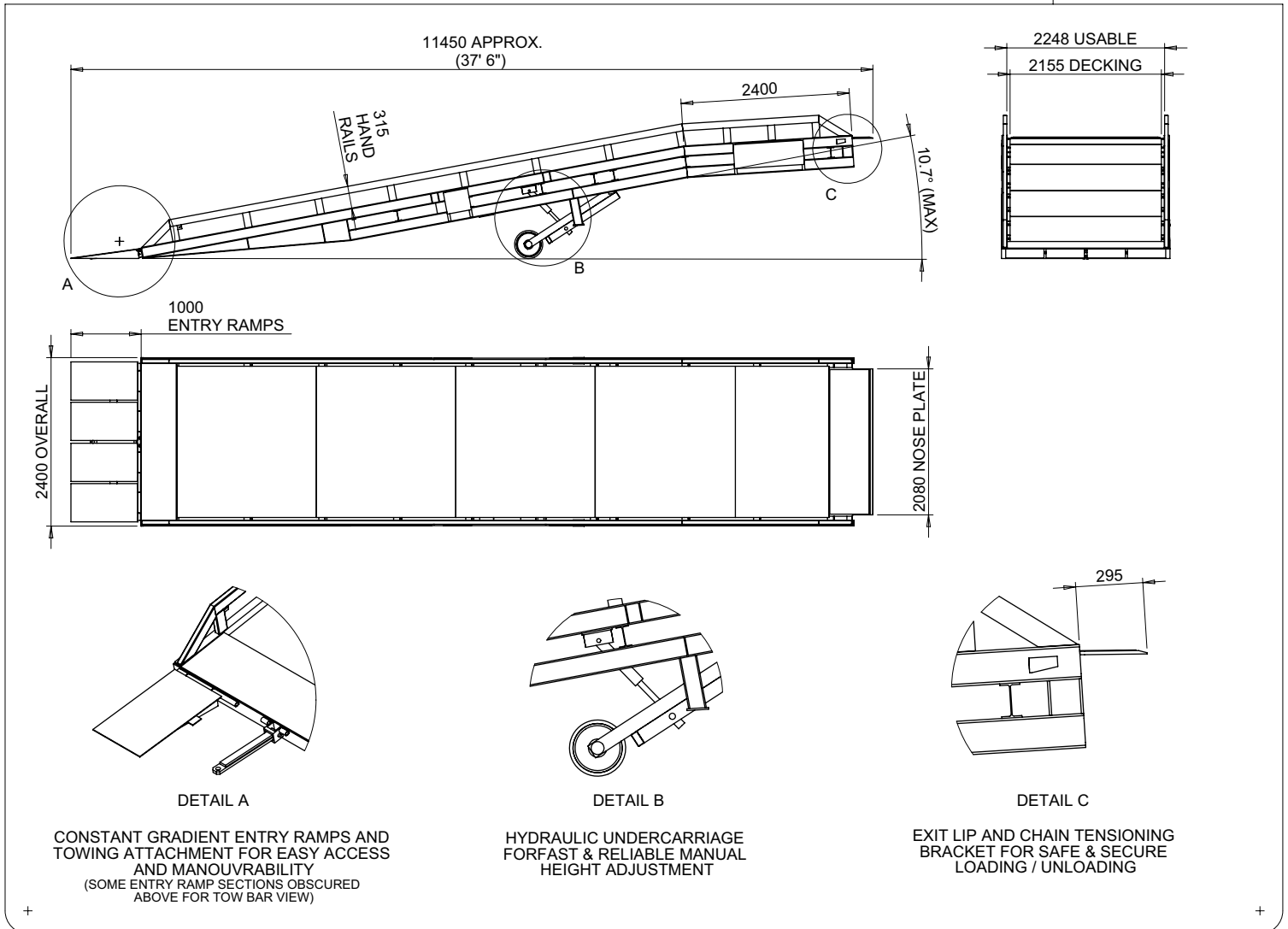


PART No:SMY249037FW8



Ten tonne type 8 mobile yard ramp. A standard unit with fold down entry ramps, high safety side rail, tow bar, & manual hydraulic height adjustment for fast & efficient loading operations.

CAPACITY	10000Kg
WEIGHT	3700 Kg
MATERIAL	Welded Steel
HEIGHT DIFFERENTIAL	890 mm (min.) 1090 mm (max. rec.) 1680 mm (max poss.)
ESTIMATED LEAD TIME	EX STOCK
OPTIONAL EXTRAS	Chocks, Trailer Safety Jack



All dimensions shown are in millimetres and are intended for reference purposes only; exact product measurements may vary due to applied tolerances and methods of manufacture

