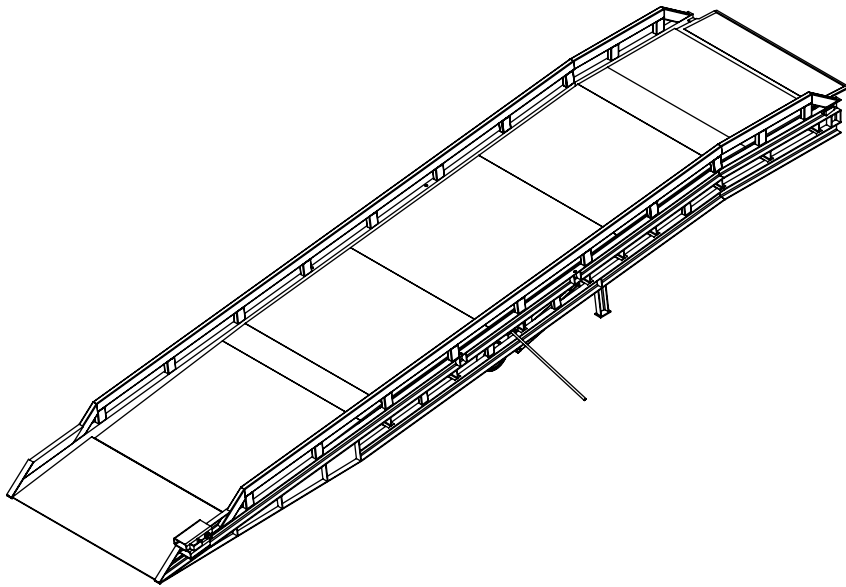
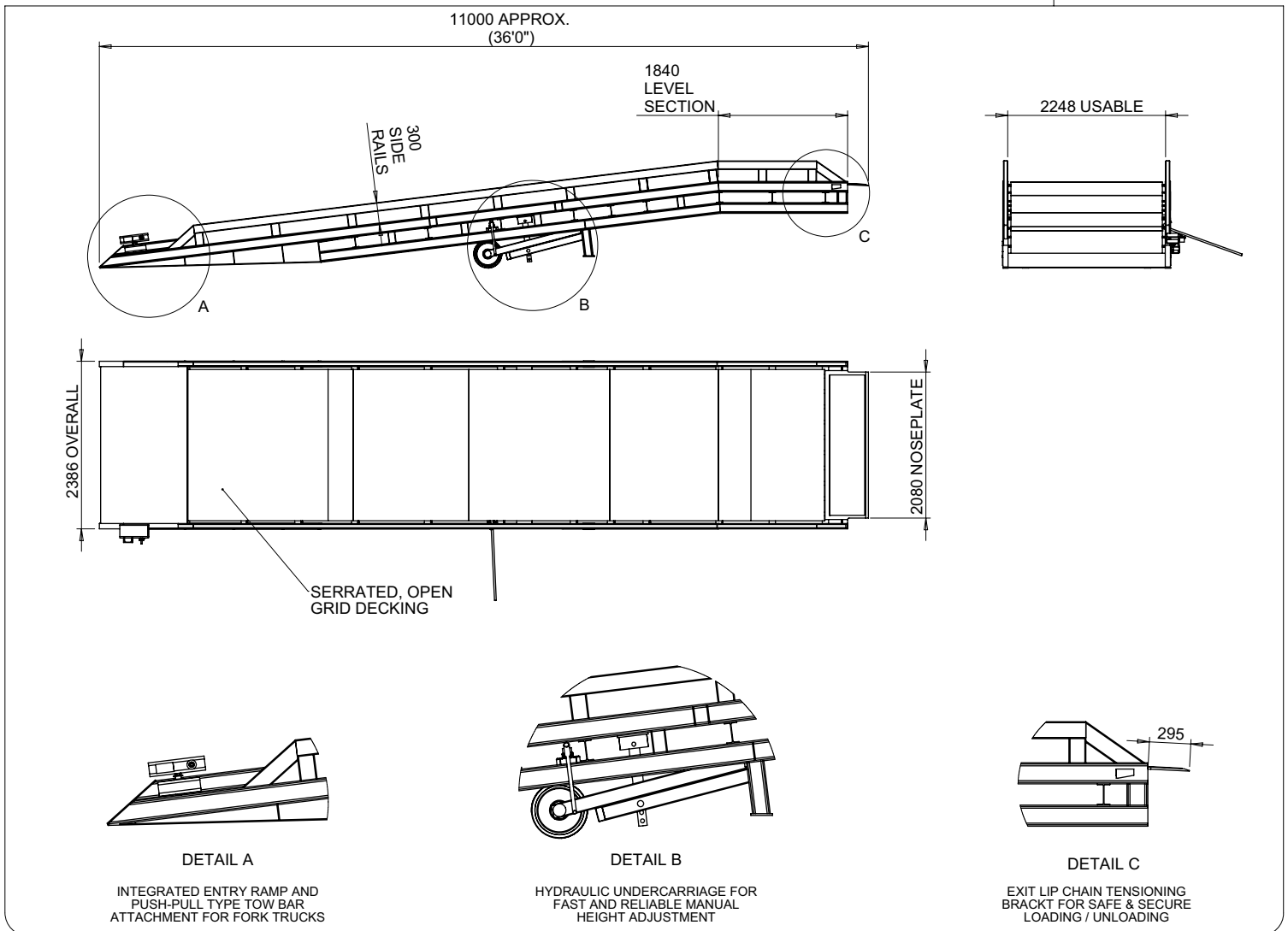


PART No: SMY-24-9036-FW9



Ten Tonne Type 9 mobile yardramp. A standard unit with integrated entry ramp, high safety sail rail, tow bar & manual height adjustment for fast & efficient loading operations.

CLASS	STANDARD	
CAPACITY	10,000 Kg	
ESTIMATED LEADTIME	EX STOCK	
HEIGHT DIFFERENTIAL	890mm (min.) 1170mm (rec.) 1690mm (max.)	
OPTIONAL EXTRAS	TWC-1 TWC-8 TWCJ-4253	Vehicle Wheel Chock Yardramp Wheel Chock Trailer Safety Jack



All dimensions shown are in millimetres and are intended for reference purposes only; exact product measurements may vary due to applied tolerances and methods of manufacture

