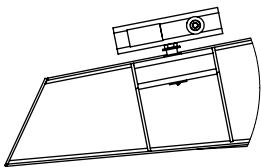
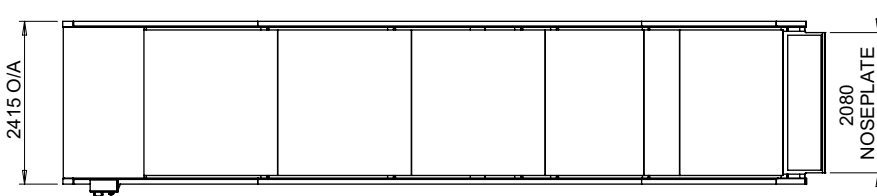
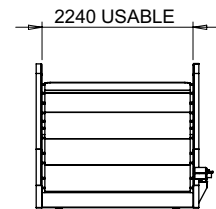
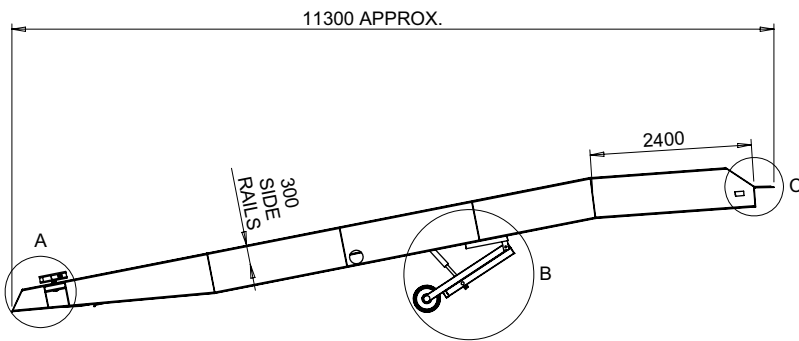
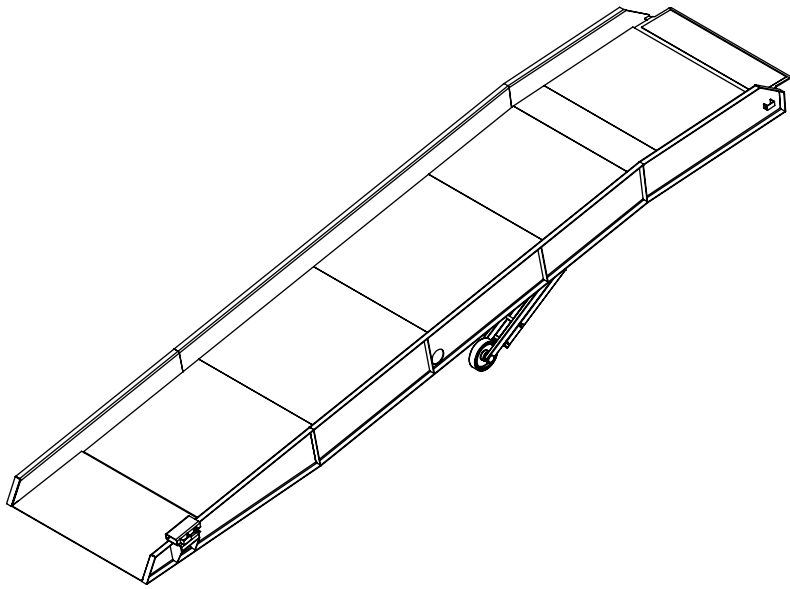


PART No: SMY-16-9037-FW7

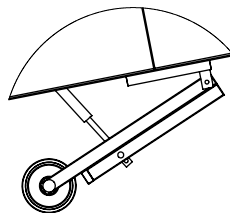
Seven Tonne Type 7 mobile yardramp. A deluxe unit with integrated entry ramp, integrated high safety side beams, push / pull tow bar & manual hydraulic height adjustment for fast & efficient operations.

CLASS	DELUXE	
CAPACITY	7000 Kg	
ESTIMATED LEADTIME	EX STOCK	
HEIGHT DIFFERENTIAL	890mm (min.) 1170mm (rec.) 1690mm (max.)	
OPTIONAL EXTRAS	TWC-1 TWC-8 TWCJ-4253	Vehicle Wheel Chock Yardramp Wheel Chock Trailer Safety Jack



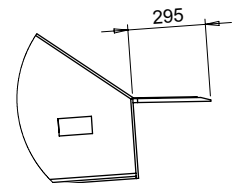
DETAIL A

TOW BAR FOR EASE OF MOVEMENT AND ACCURATE POSITIONING OF RAMP



DETAIL B

HYDRAULIC UNDERCARRIAGE FOR FAST AND RELIABLE MANUAL HEIGHT ADJUSTMENT



DETAIL C

EXIT LIP AND CHAIN TENSIONING BRACKET FOR SAFE & SECURE LOADING / UNLOADING

All dimensions shown are in millimetres and are intended for reference purposes only; exact product measurements may vary due to applied tolerances and methods of manufacture

