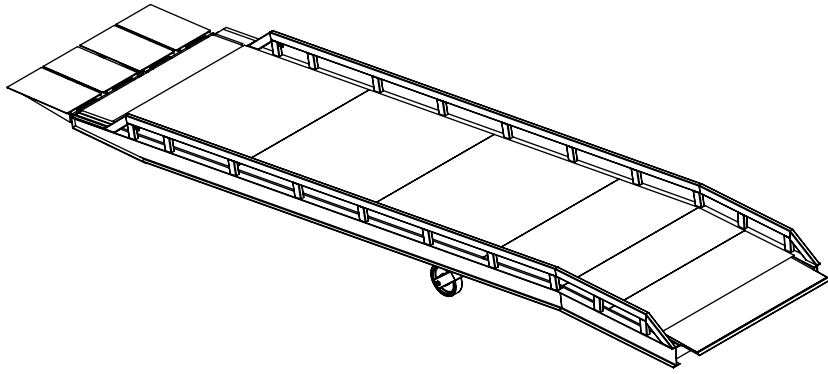
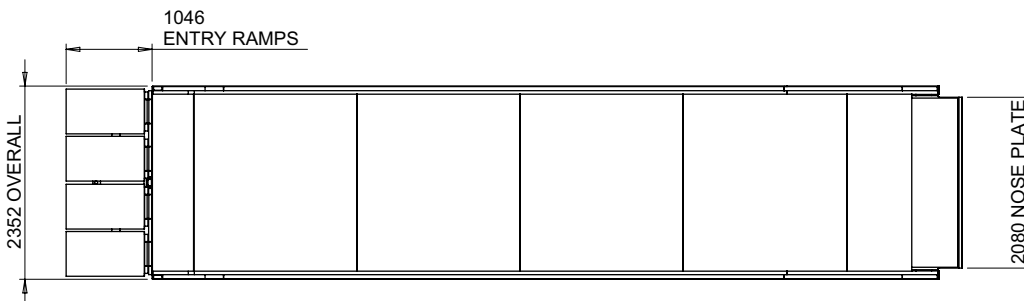
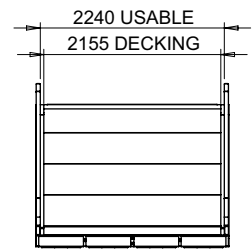
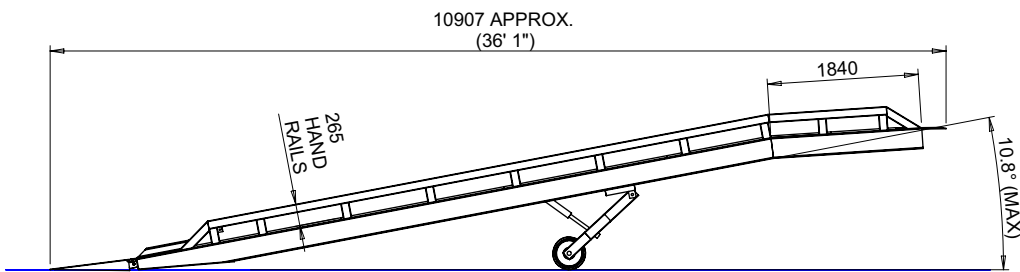


PART No: SMY169036FW10



Seven tonne type 10 mobile yard ramp. A standard unit with fold down entry ramps, high safety side rail, multiple towing options & manual hydraulic height adjustment for fast & efficient loading operations.

CAPACITY	7000 Kg
WEIGHT	2930 Kg
CLASS	STANDARD
HEIGHT DIFFERENTIAL	885 mm (min.) 1064 mm (max. rec.) 1740 mm (max. poss.)
ESTIMATED LEAD TIME	EX STOCK
OPTIONAL EXTRAS	Push-Pull Type Towing Bracket, Chocks, Trailer Safety Jack



All dimensions shown are in millimetres and are intended for reference purposes only; exact product measurements may vary due to applied tolerances and methods of manufacture

