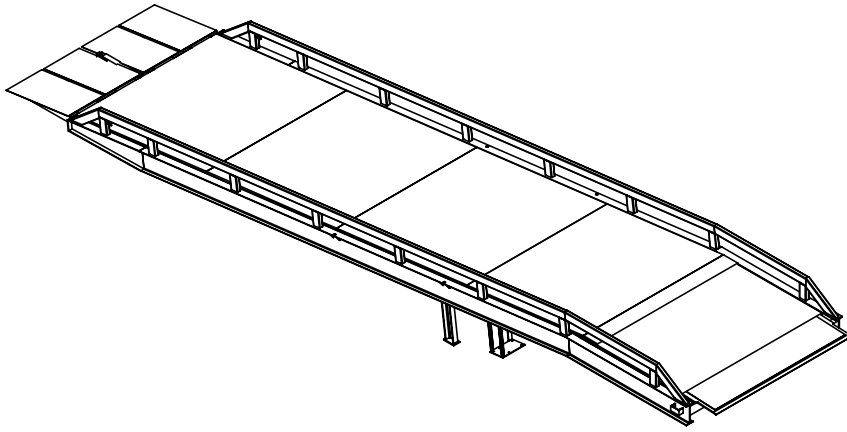
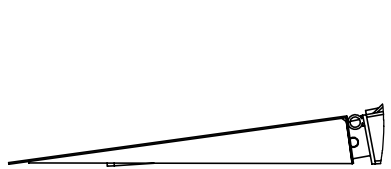
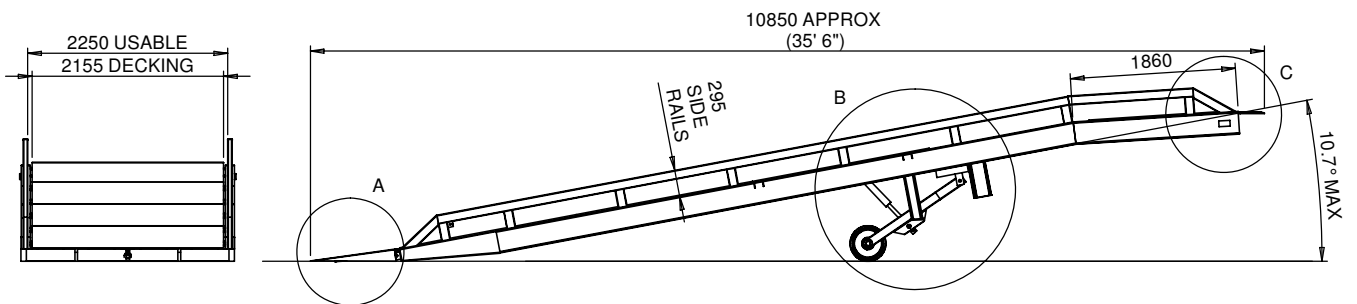
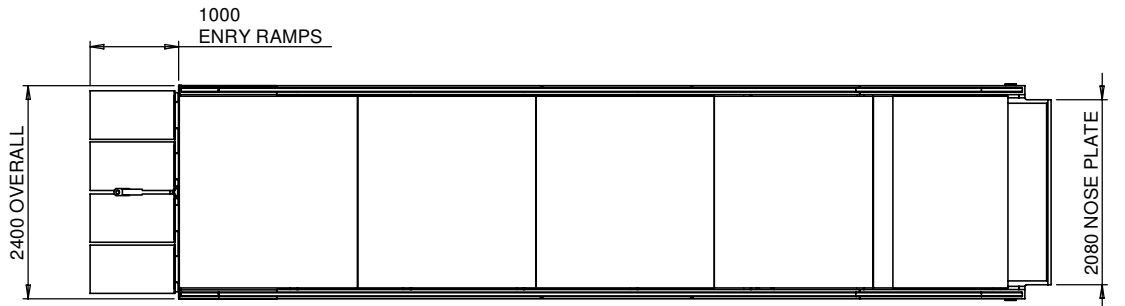


PART No: SMY149036FW10

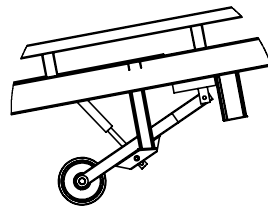


Six tonne type 10 mobile yard ramp. A standard unit with fold down entry ramps, high safety side rail, tow bar, & manual hydraulic height adjustment for fast & efficient loading operations.

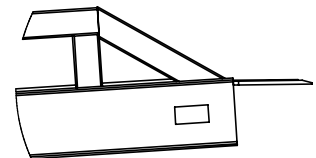
CAPACITY	6000Kg
WEIGHT	2760 Kg
MATERIAL	Welded Steel
HEIGHT DIFFERENTIAL	890 mm (min.) 1050 mm (max. rec.) 1680 mm (max. poss.)
ESTIMATED LEAD TIME	EX STOCK
OPTIONAL EXTRAS	Chocks, Trailer Safety Jack



CONSTANT GRADIENT ENTRY RAMPS AND TOWING ATTACHMENT FOR EASY ACCESS AND MANOUVRABILITY



HYDRAULIC UNDERCARRIAGE FOR FAST & RELIABLE MANUAL HEIGHT ADJUSTMENT



EXIT LIP AND CHAIN TENSIONING BRACKET FOR SAFE & SECURE LOADING / UNLOADING

All dimensions shown are in millimetres and are intended for reference purposes only; exact product measurements may vary due to applied tolerances and methods of manufacture

