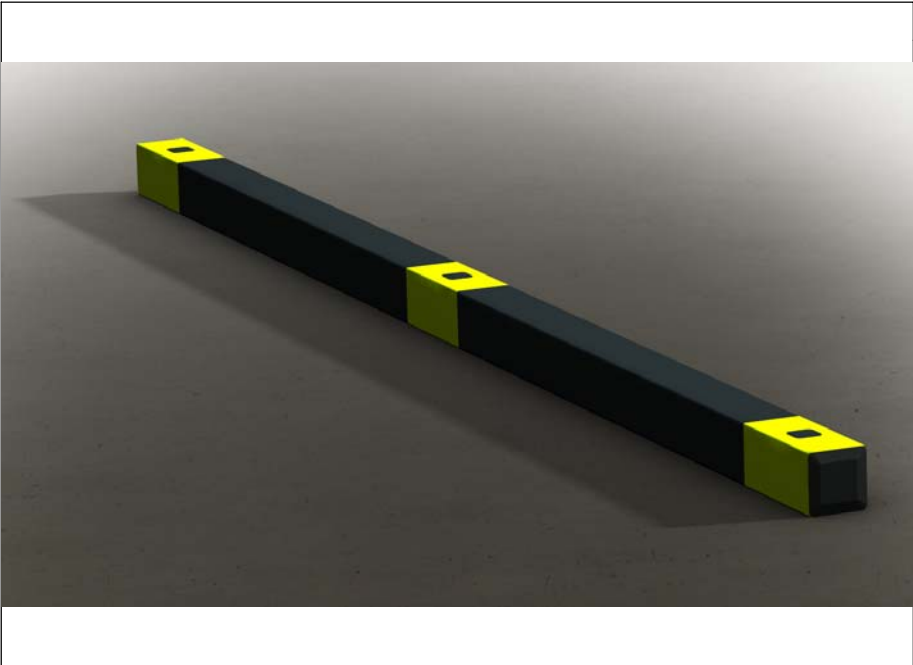
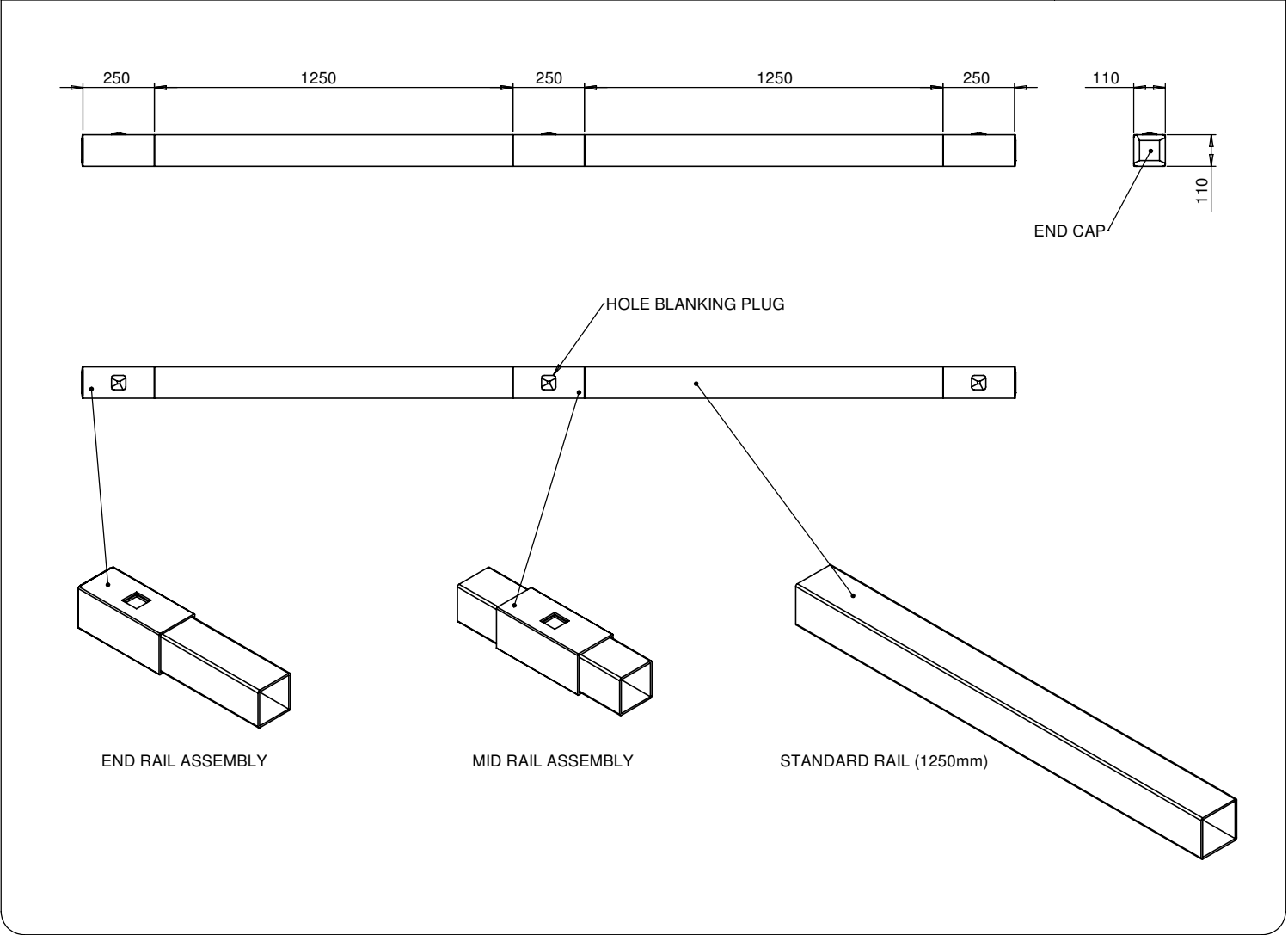


PART No: TWVR-X-X



Thorworld Flexi Vehicle Restraint can be used both indoors and out, to restrain movement of vehicles and protect buildings and equipment. Ideal for the food industry as there is no need to galvanize or paint the product, therefore it doesn't scratch or rust and there is minimal maintenance cost. Supplied in kit form, easy to assemble and install and the restraints return to their original shape after impact.

TWVR-JOIN-END	END JOINT ASSEMBLY
TWVR-JOIN-MID	MID JOINT ASSEMBLY
TWVR-RAIL	STANDARD RAIL
WEIGHT	3 Kg Per/Part
FIXINGS	MIN FIXING DEPTH OF 100mm IN SOUND CONCRETE USING M12 FIXINGS



All dimensions shown are in millimetres and are intended for reference purposes only; exact product measurements may vary due to applied tolerances and methods of manufacture

