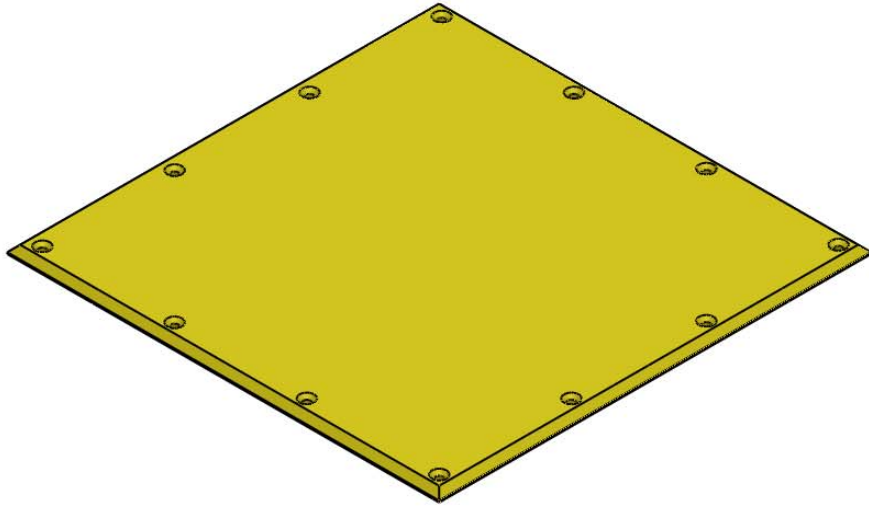
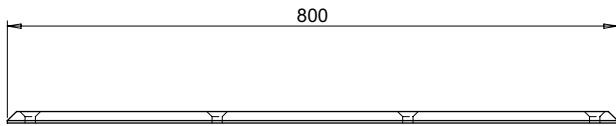


PART No: TLLS-N1

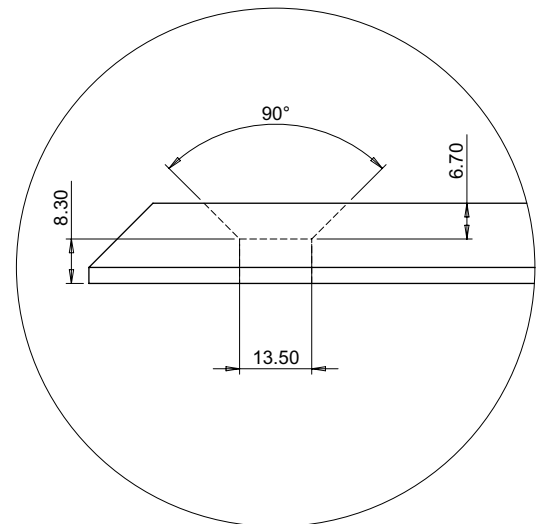
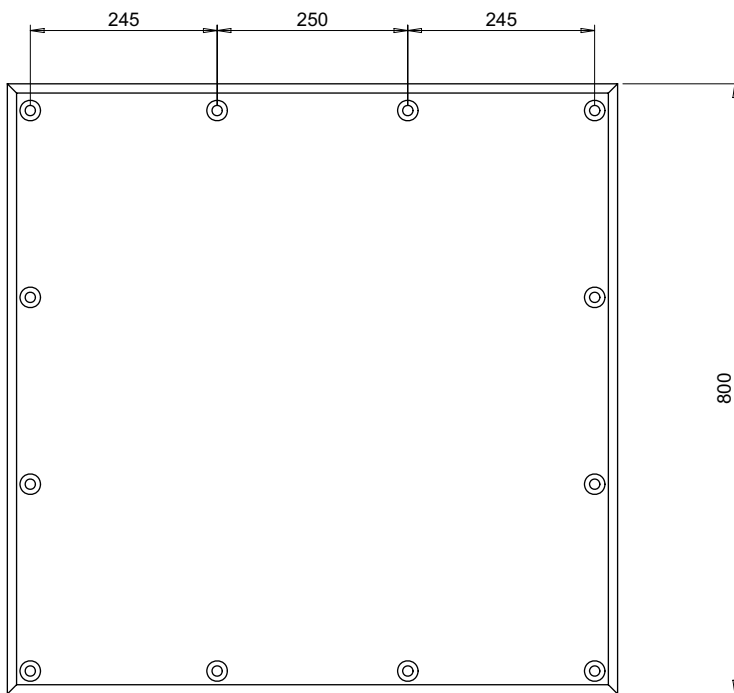
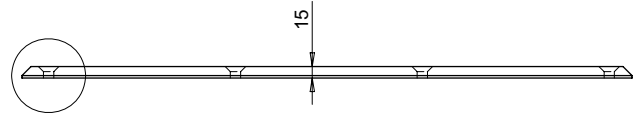


In situations where trailers are left disconnected from their cab units, high pressures can be generated on the ground area under the landing legs. Thorworld Supports are designed to spread the load over a wider area and as such, prevent damage to the floor.

MATERIAL	Nylon
WEIGHT	9 Kg
ESTIMATED LEADTIME	EX STOCK
ADDITIONAL INFO	Units are bolted into position to ensure accurate alignment every time. Nylon construction for improved durability and lifespan.



A - HOLE INFORMATION



DETAIL A - HOLE INFORMATION

All dimensions shown are in millimetres and are intended for reference purposes only; exact product measurements may vary due to applied tolerances and methods of manufacture

