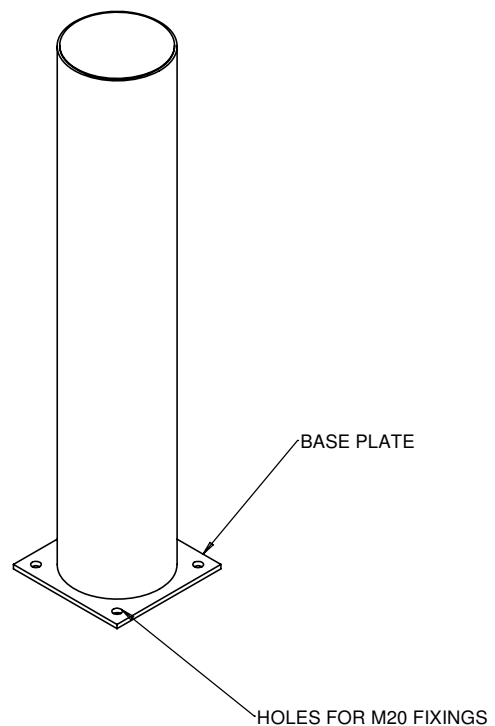
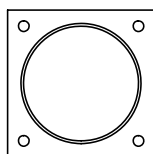
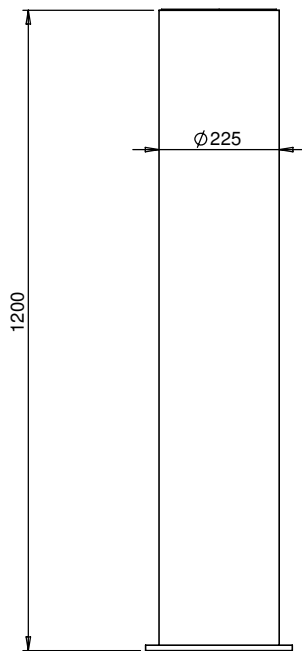


## PART No: TWSB-1200

The flexibility and absorption properties provided by the Thorworld Flexi Safety Bollard provides protection for buildings, machinery etc as well as the vehicles impacting with it. Due to their strength and high visibility, they are perfect for use on loading bays and at entrance and exit points to signify designated crossing points. This product can be used both indoors and out. Particularly good for outdoor use or the food industry as there is no need to galvanize or paint the product, therefore it doesn't scratch or rust and there is minimal maintenance cost.

WEIGHT	15 Kg
ESTIMATED LEADTIME	EX STOCK



All dimensions shown are in millimetres and are intended for reference purposes only; exact product measurements may vary due to applied tolerances and methods of manufacture

