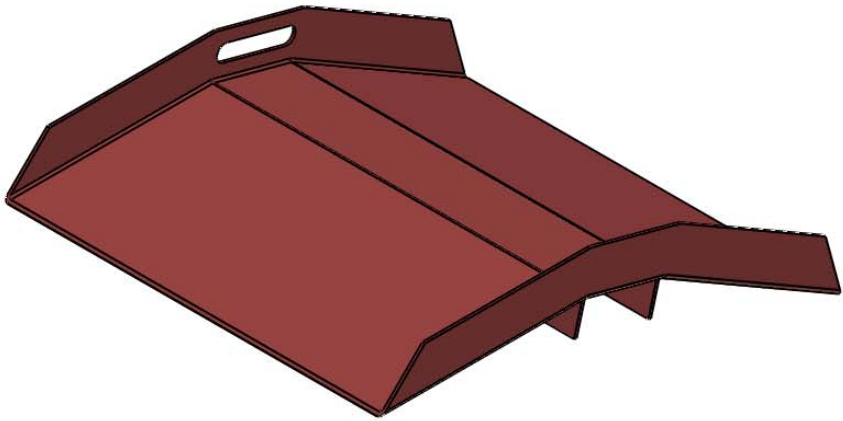
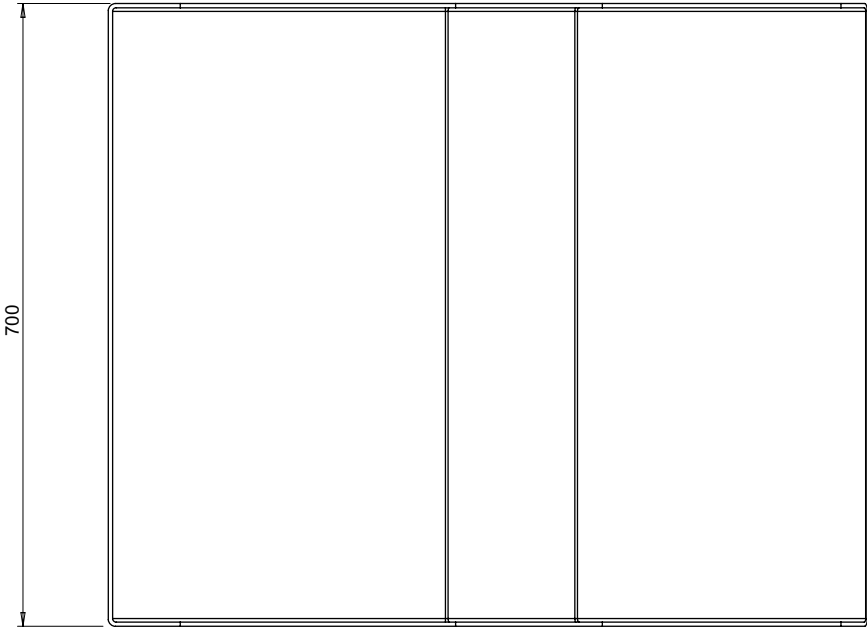
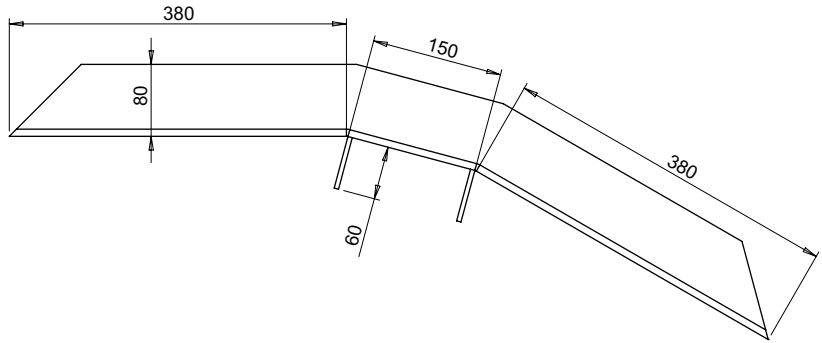


**PART No: LDTR-2736**



The Doorway Threshold Ramp is suitable for wheel chairs and trucks that need to gain access where a door frame needs to be bridged. A lifting handle, an anti-slip finish and securing legs are included.

MATERIAL	LIGHTWEIGHT ALUMINIUM
WEIGHT	10 Kg
ESTIMATED LEADTIME	2 - 3 Weeks
DETAILS	Standard unit bridges a 90mm high, 100mm deep threshold. Capacity = 250 Kg



All dimensions shown are in millimetres and are intended for reference purposes only; exact product measurements may vary due to applied tolerances and methods of manufacture

