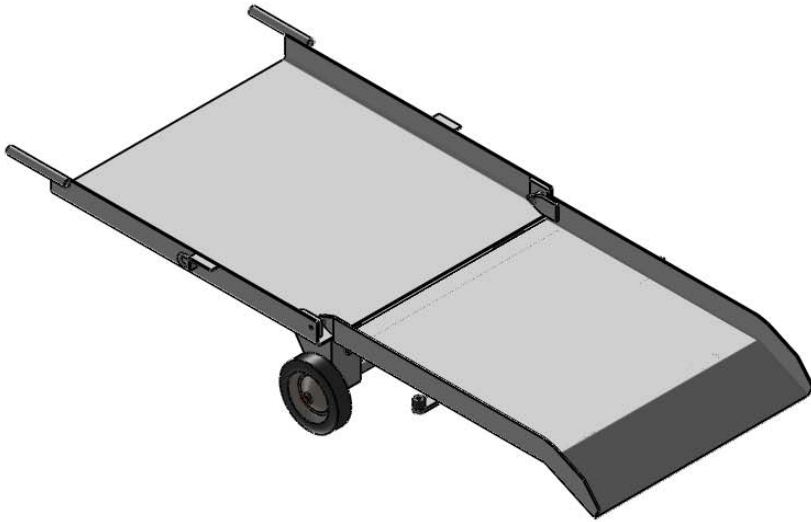


## PART No: DLRF-3272



This Lightweight Aluminium Ramp has been developed for situations where there is a height difference between two locations. Suitable for gaining access to trains, buildings and vehicles. The ramps are of a folding design and are self supporting when folded which allows for easy transportation and efficient storage.

MATERIAL	ALUMINIUM
CAPACITY	300 Kg
WEIGHT	35 Kg
ESTIMATED LEADTIME	2 - 3 Weeks
HEIGHT DIFF. (mm)	MAX. POSS. = 485 MAX. RECOMM. = 380

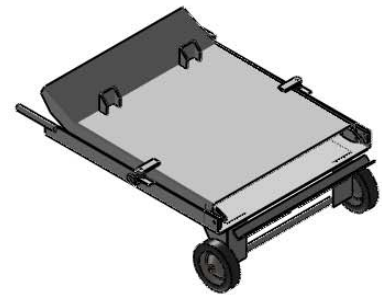
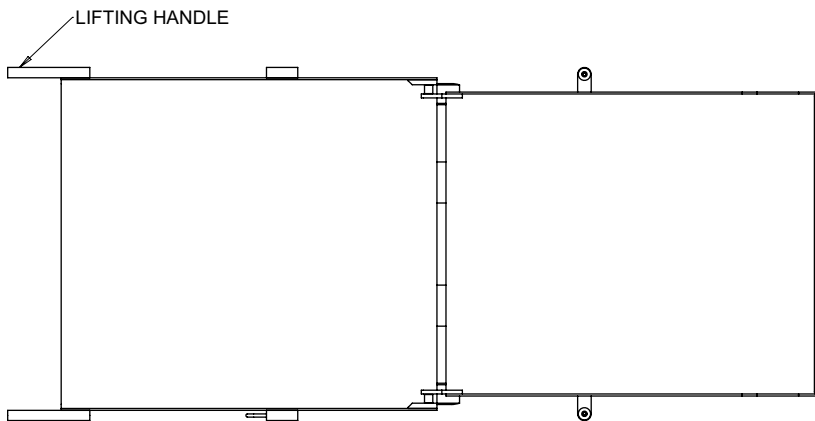
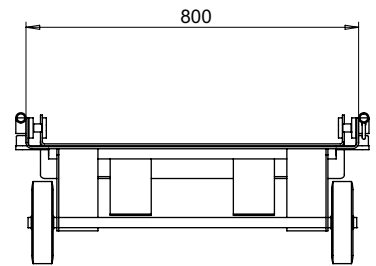
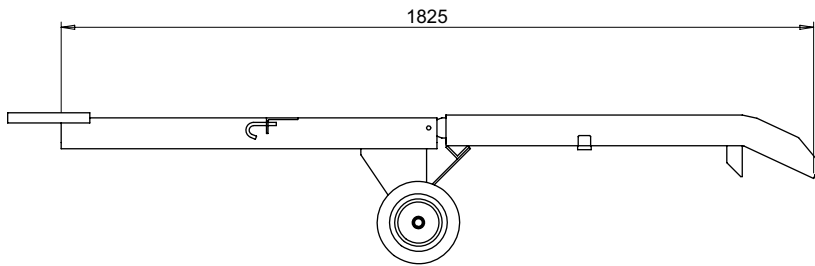


IMAGE ABOVE SHOWS RAMP IN FOLDED POSITION FOR TRANSPORTATION AND STORAGE  
FOLDED SIZE DIMENSIONS: 800mm x 1120mm

All dimensions shown are in millimetres and are intended for reference purposes only; exact product measurements may vary due to applied tolerances and methods of manufacture

