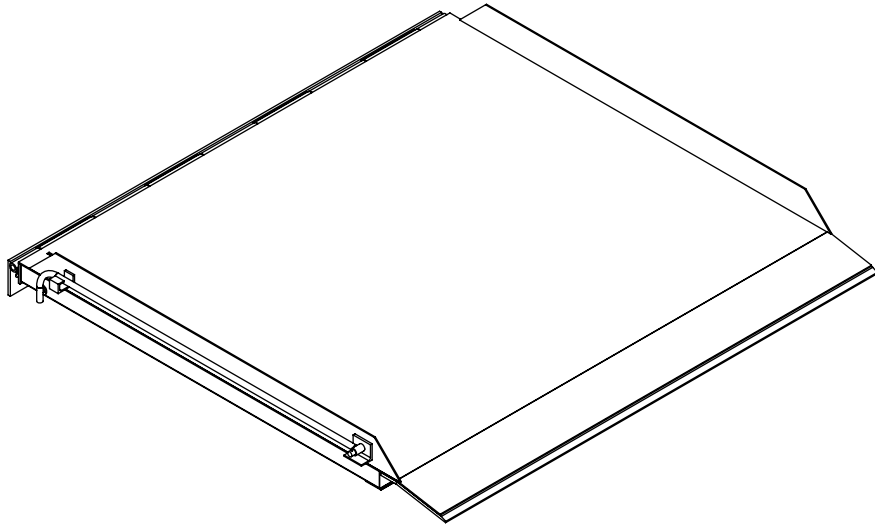
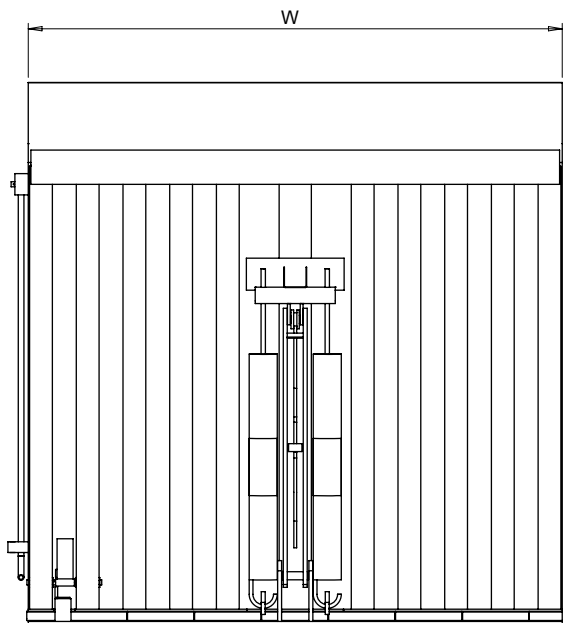
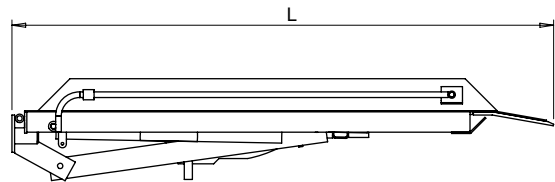
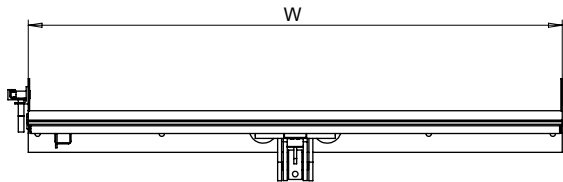


## PART No: TOXXXX-X



Counter Balanced Drawbridge Levellers offer higher capacities than Hinged Bridgeplates, and are available in various widths and lengths with capacities of either 4000Kg or 6000Kg. This product is ideal for fitting to existing docks, as it eliminates the need for any structural work. When not in use the leveller is stored and locked in the vertical position, which acts as a safety barrier for those working on the dock. Safety side curbs are fitted as standard.

MATERIAL	STEEL
ESTIMATED LEADTIME	4 - 5 Weeks
OPTIONAL EXTRAS	CBC-2 150mm high Safety Side Curbs GP-1 Steel Goal Post 1200mm high DBS-1 Dock Bumper Support



MODEL NO.	W x L DIMENSION	MAX. POSS. +/-	MAX. RECCO. +/-	TOTAL MAX LOAD (Kg)	WEIGHT (Kg)
TO1512-4	1500 x 1275	175	130	4000	210
TO1515-4	1500 x 1500	225	170	4000	250
TO1517-4	1500 x 1750	265	200	4000	290
TO1520-4	1500 x 2000	310	230	4000	320
TO1712-4	1750 x 1275	175	130	4000	235
TO1715-4	1750 x 1500	225	170	4000	275
TO1717-4	1750 x 1750	265	200	4000	320
TO1720-4	1750 x 2000	310	230	4000	345
TO2012-4	2000 x 1275	175	130	4000	275
TO2015-4	2000 x 1500	225	170	4000	312
TO2017-4	2000 x 1750	265	200	4000	372
TO2020-4	2000 x 2000	310	230	4000	390
TO1512-6	1500 x 1275	175	130	6000	225
TO1515-6	1500 x 1500	225	170	6000	265
TO1517-6	1500 x 1750	265	200	6000	300
TO1520-6	1500 x 2000	310	230	6000	335
TO1712-6	1750 x 1275	175	130	6000	245
TO1715-6	1750 x 1500	225	170	6000	290
TO1717-6	1750 x 1750	265	200	6000	335
TO1720-6	1750 x 2000	310	230	6000	365
TO2012-6	2000 x 1275	175	130	6000	275
TO2015-6	2000 x 1500	225	170	6000	330
TO2017-6	2000 x 1750	265	200	6000	370
TO2020-6	2000 x 2000	310	230	6000	410

All dimensions shown are in millimetres and are intended for reference purposes only; exact product measurements may vary due to applied tolerances and methods of manufacture

