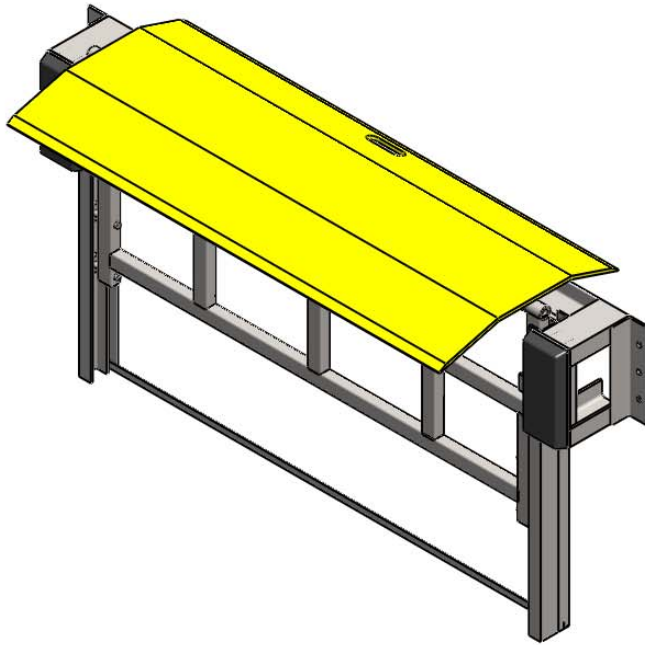
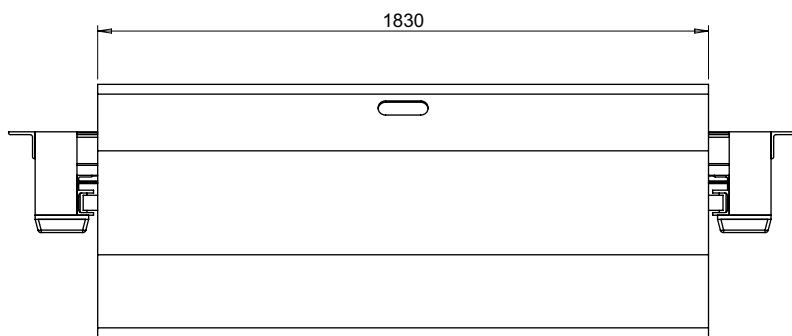
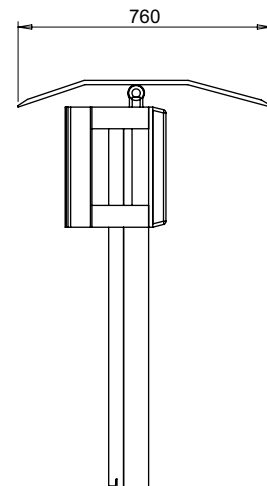
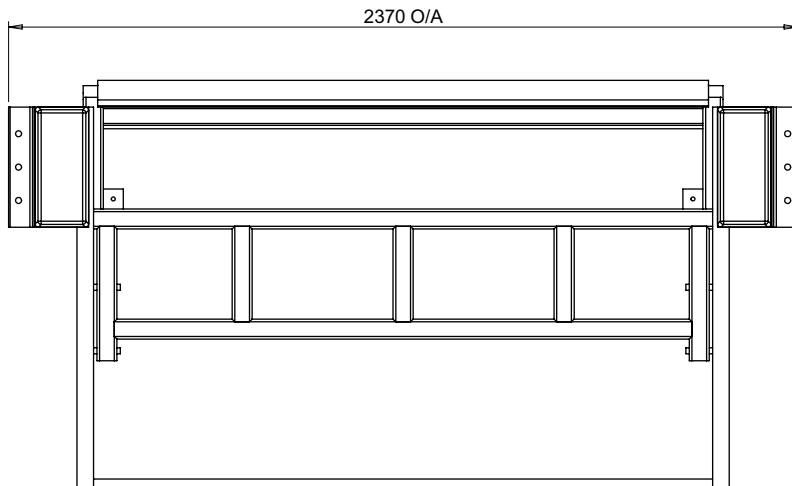


PART No: CB7230LP



The Mini Dock Leveller provides a safe bridge between the loading dock and vehicle for personnel and equipment. The ramp is pivoted at its centre and remains in balance at all times. Buffers, included in the price, are attached at either side of the unit to aid vehicle positioning and prevent damage. Minimal manual effort (16 Kg max) is required to set the leveller in its operating position.

MATERIAL	STEEL
WEIGHT	350 Kg
ESTIMATED LEADTIME	8 - 10 Weeks
CAPACITY	5000 Kg
HEIGHT DIFFERENTIAL	MAX. POSS. = 100mm MAX. RECOMM. = 75mm



All dimensions shown are in millimetres and are intended for reference purposes only; exact product measurements may vary due to applied tolerances and methods of manufacture

