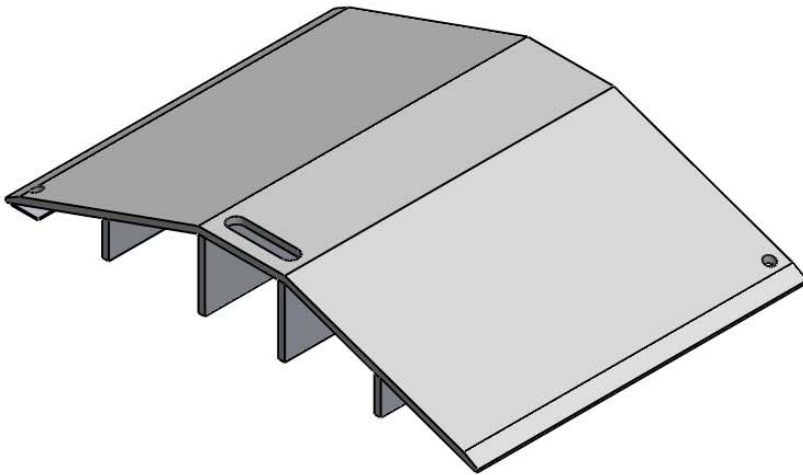


## PART No: TWCH-2436-X



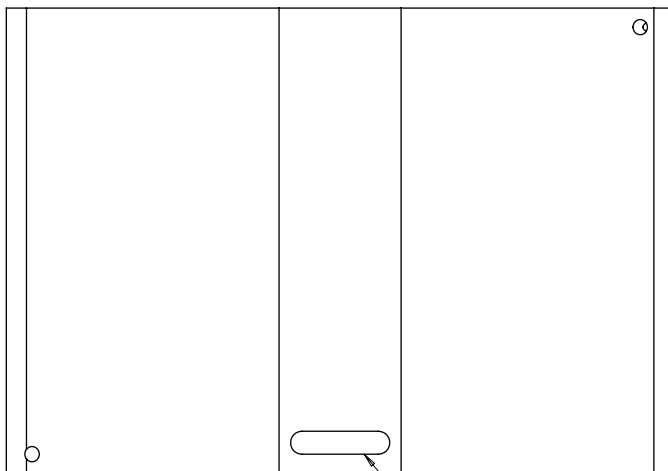
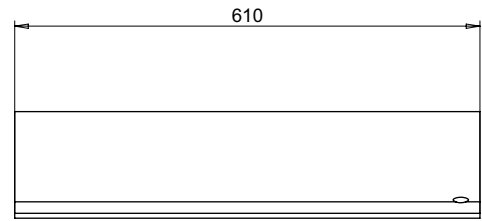
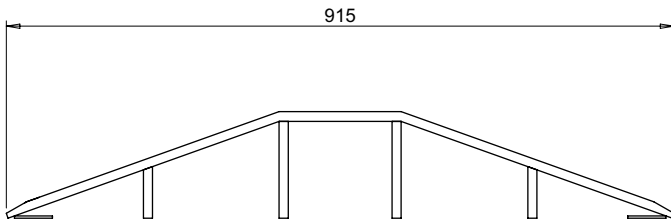
This product can be used to bridge hoses, cables or pipes of up to 120mm diameter. The ramp can either be restrained by the pipes or cables themselves or secured to the ground via fixing points built-in the units. The bridge is a one-piece structure which can be placed by the side of another one to make extended bridges if required. The overall height of the ramp is 135mm and so the underclearance of the equipment to be used should be considered when choosing the right product. Bridges can be manufactured to suit specific customer requirements if required.

MATERIAL

STEEL

ESTIMATED LEADTIME

5-10 working days



BUILT IN HANDLE FOR EASE OF MOVEMENT

MODEL NO.	CAPACITY (Kg)	MAX. DIA. OF HOSE OR PIPES WHICH CAN BE ACCOMMODATED	WEIGHT (Kg)
TWCH-2436-1	1000	1 x 200	15
TWCH-2436-4	4000	2 x 100	22
		2 x 70	
TWCH-2436-7	7000	2 x 50	27

All dimensions shown are in millimetres and are intended for reference purposes only; exact product measurements may vary due to applied tolerances and methods of manufacture

