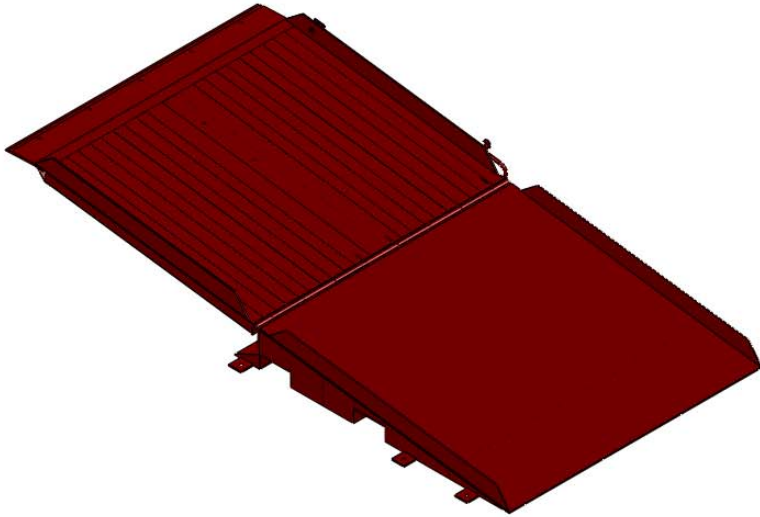
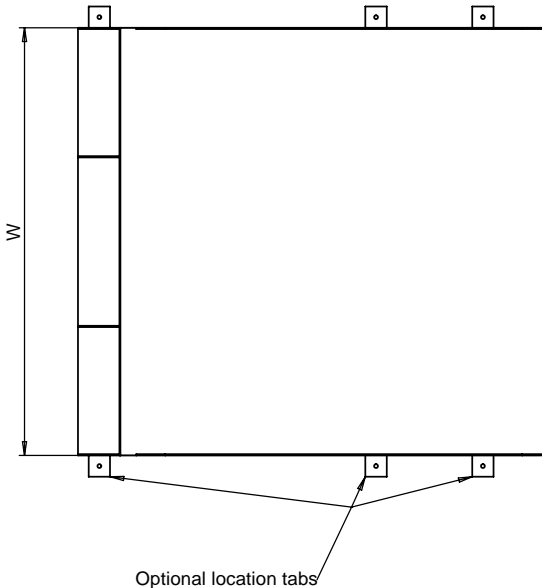


PART No: TOPR-20xx

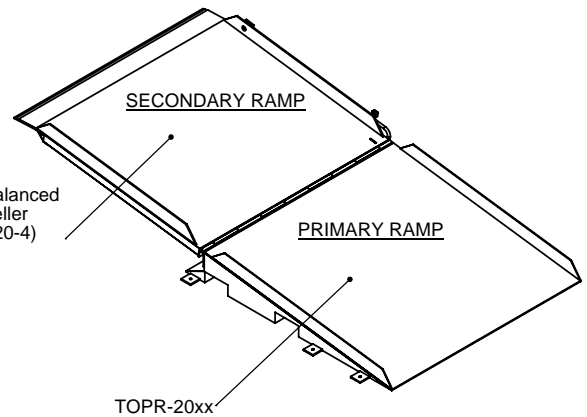


The Drawbridge Leveller Ramp Combination is ideal for catering for larger height differences, achieving the the European Standard 7° incline without requiring one long ramp, which is difficult to store. Storage spcae is minimal as the leveller is stored in the vertical position.

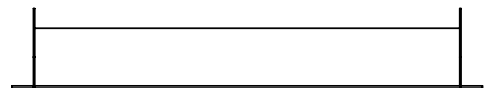
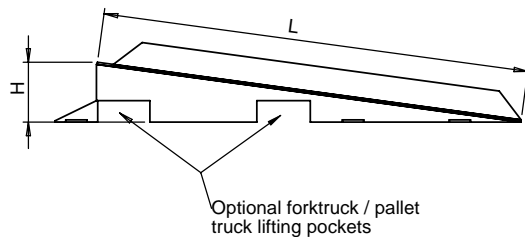
| | |
|--------------------|--|
| MATERIAL | Steel |
| WEIGHT | Model dependant |
| ESTIMATED LEADTIME | 4 - 5 weeks |
| OPTIONAL EXTRAS | <ul style="list-style-type: none"> * <u>Required</u> - Counterbalance leveller (secondary ramp) * Safety Handrails * Locating tabs for securing to ground * Forktruck / pallet truck lifting pockets (sized to suit) |



CBDL Counterbalanced Drawbridge Leveller (Typically TO2020-4)



| Model No. | Width W (mm) | Length L (mm) | Height H (mm) |
|-----------|--------------|---------------|---------------|
| TOPR-2020 | 2000 | 2000 | 250 |
| TOPR-2030 | 2000 | 3000 | 375 |
| TOPR-2040 | 2000 | 4000 | 500 |



SPECIAL SIZES AVAILABLE ON REQUEST

All dimensions shown are in millimetres and are intended for reference purposes only; exact product measurements may vary due to applied tolerances and methods of manufacture

