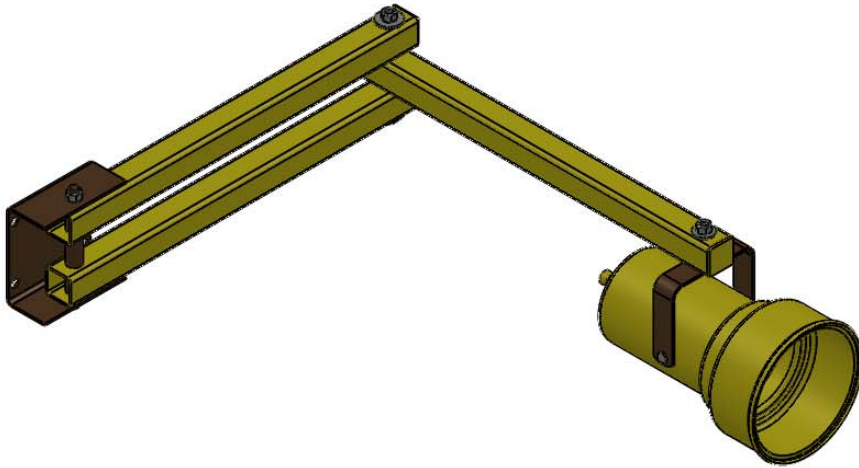
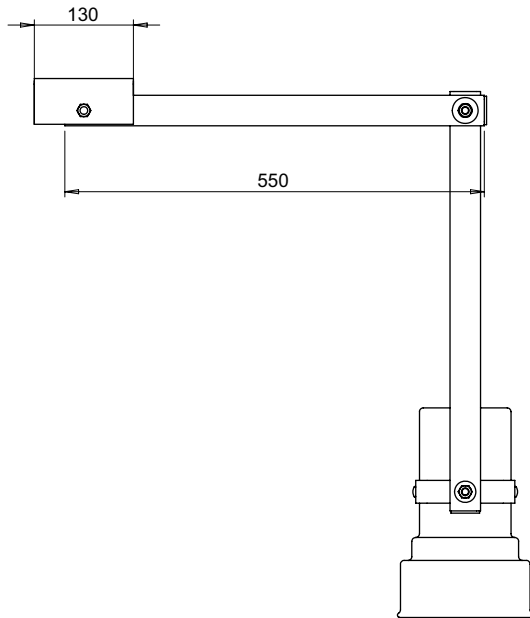
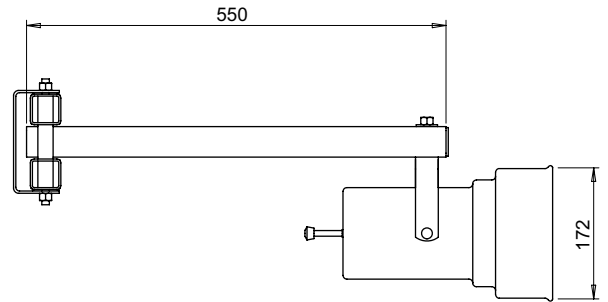
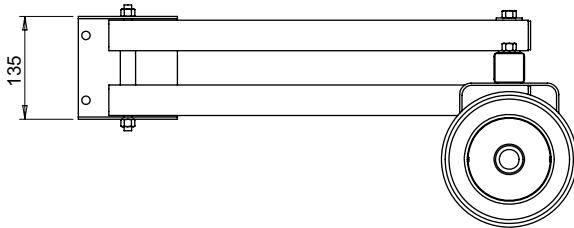


PART No: TWDL-3



The Standard Plus Dock Light moves in two planes and pivots at three points, allowing the light to be accurately positioned to illuminate the inside area of a vehicle during loading and unloading,

MATERIAL	STEEL
WEIGHT	7 Kg
ESTIMATED LEADTIME	EX STOCK
ADDITIONAL INFO	Includes 80W halogen bulb with 240V unit, or 50W halogen bulb with 110V unit. Full metal guards are included, to protect against theft & breakages. Arm length of 1060mm.



All dimensions shown are in millimetres and are intended for reference purposes only; exact product measurements may vary due to applied tolerances and methods of manufacture

