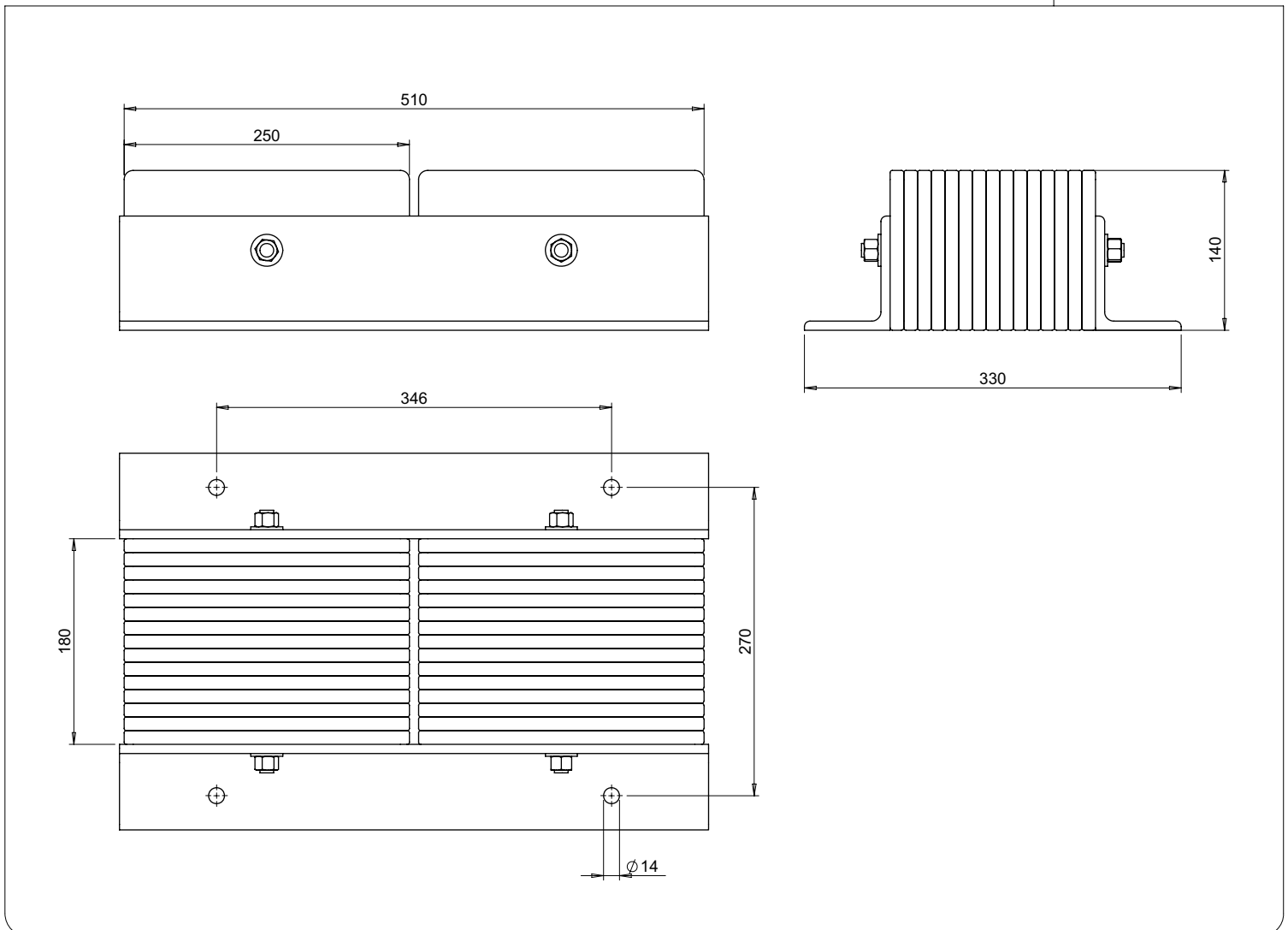




TWBL-1

Laminated Dock Bumpers are available as an alternative to Heavy Duty Dock Bumpers. They are available in a large range of sizes, suitable for accommodating greater widths.

MATERIAL	Rubber strips mounted in a steel frame
WEIGHT	30 kg
ESTIMATED LEADTIME	5-10 days
NO. HOLES	4



All dimensions shown are in millimetres and are intended for reference purposes only; exact product measurements may vary due to applied tolerances and methods of manufacture

