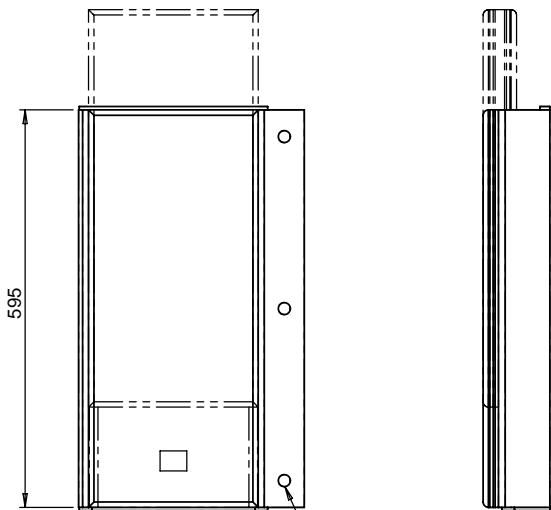
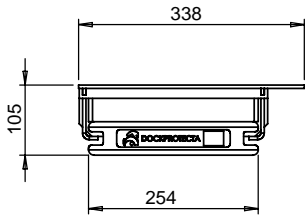
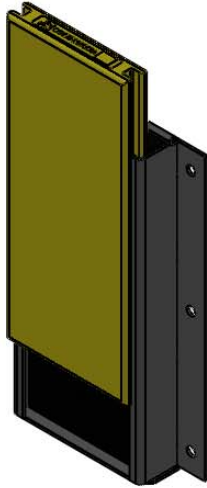


PART No: TWB-1024-4-N13Y

Sliding Nylatron® Bumper with heavy duty steel backing framework, designed such that it can be turned upside-down, and back-to-front allowing 4 orientations, and 4 times the lifespan of other nylon bumpers. The smooth front results in reduced degradation of vehicle and bumper. The sliding action means the bumper will passively adjust 3 with the vehicle rather than suffer abrasion damage.

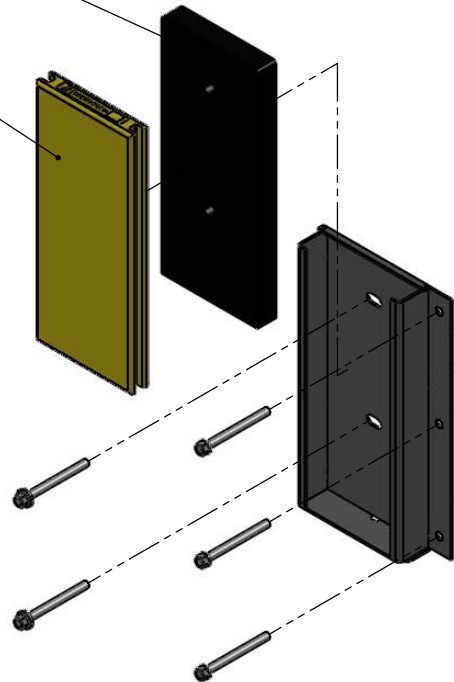
MATERIAL	Powder-coated steel support Nylatron® Nylon Bumper Rubber Packer
WEIGHT	30Kg
ESTIMATED LEADTIME	3-4 working weeks
OPTIONAL EXTRAS	Replacement Nylon Bumper Replacement Rubber Packer: TWB-1030-2 M16 x 180 Fixings: TWB-F4



Fixing holes to suit M16 fixings.

Rubber packer for impact absorption

Nylon sliding front



Backing plates secured using existing fixings where available, plus additional fixings on outer edge.

All dimensions shown are in millimetres and are intended for reference purposes only; exact product measurements may vary due to applied tolerances and methods of manufacture

